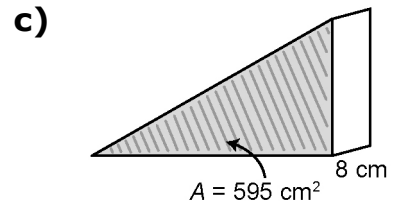
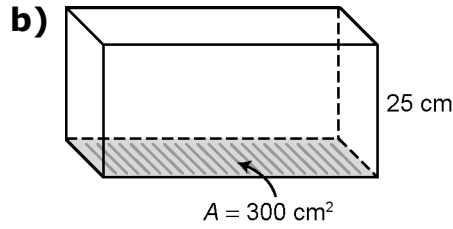
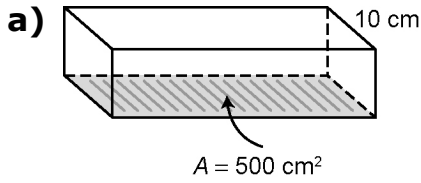


# Practice (3.1)

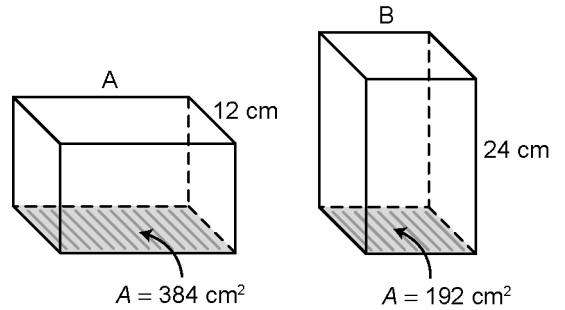
1. Determine the volume of each rectangular prism.



2. a) What is the volume of Box A?

b) What is the volume of Box B?

c) Are their volumes the same? Explain.




---



---

3. What is the height of each rectangular prism?

a) volume =  $108 \text{ cm}^3$ , area of base =  $12 \text{ cm}^2$  \_\_\_\_\_

b) volume =  $80 \text{ cm}^3$ , area of base =  $16 \text{ cm}^2$  \_\_\_\_\_

c) area of base =  $110 \text{ cm}^2$ , volume =  $110 \text{ cm}^3$  \_\_\_\_\_

4. The Canola Oil Company is designing cans for its oil. Their cans hold 1 L, which is  $1000 \text{ cm}^3$ . The area of the base of their can is  $80 \text{ cm}^2$ . How tall is the can? Show your answer to one decimal place.